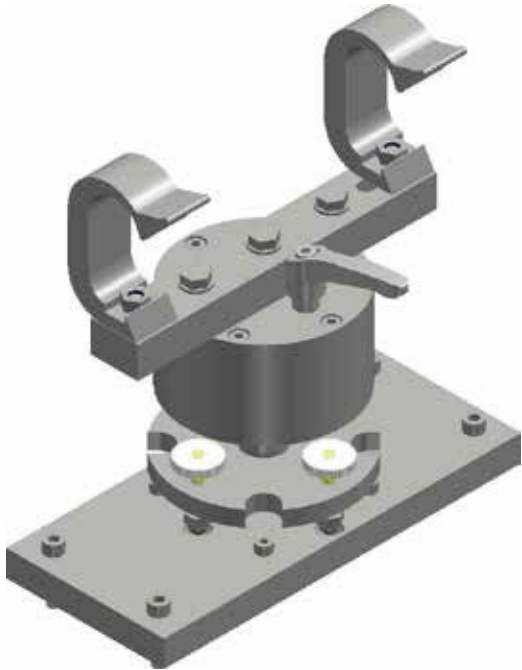


INSTALLATION MANUAL

TH-SHORT-350-8/10



Important safety notice	2
Product description	3
Maximum weight load information	3
Installing the truss mount	4
Adjustment options	4
Dimensions & weight	5

For frames:
Christie Boxer Frame
Epson EB-L25000 Frame
Panasonic ET-RFD32 Frame

Only a qualified installer should install this product.

Read these instructions carefully before installing this product.
The frames and projectors shown in the pictures of this manual only serve as an example.
The design of the frame and projector you are using may vary.

These installation instructions must always be handed over to the installing person.

IMPORTANT SAFETY NOTICE

Dear customer:

Thank you for choosing the TH-SHORTY-350-8/10 truss mount. This instruction booklet provides you with all the necessary operating information that you may require. It will help you to get the best performance out of this new product. We hope you will be pleased with your truss mount.

Model number: **TH-SHORT-350-8/10**

SAFETY PRECAUTIONS

Please consider the valid laws at the place of event.

WARNING

Installation work should only be carried out by a qualified technician.

- If this product is not installed correctly, serious accidents may result.

The maximum weight load for one TH-SHORT-350-8/10 is 350 kg (771,62 lb.)

- Do not exceed the maximum weight load in ceiling mount configurations.

CAUTION

Do not install the truss mount and suspend the frame in a place which may impede projector ventilation.

- If this is not observed, fire may result.

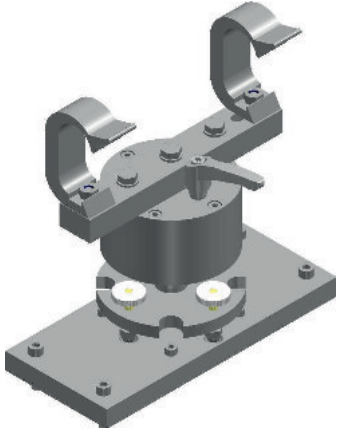
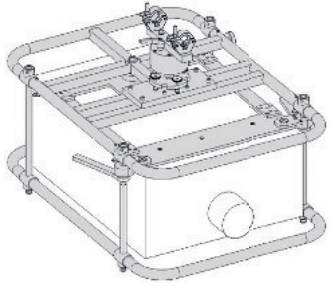
Do not set up the projector in humid or dusty places or in places where the projector may come into contact with oily smoke or steam.

- Using the projector under such conditions may result in fire, electric shocks or plastic deterioration.

Minimum 2 people are required to install a frame with the TH-SHORT-350-8/10.

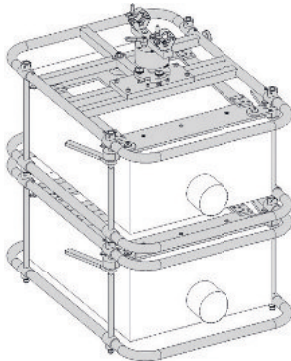
-With regard to the overall weight of all necessary installation devices, make sure to handle those with at least 2 people.

PRODUCT DESCRIPTION

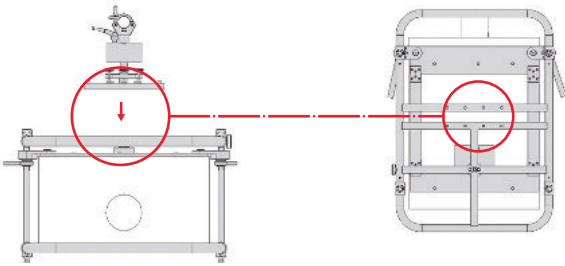
Part name	Image	Purpose	Finished assembly diagram
Truss mount		Used for ceiling mount installations	

MAXIMUM WEIGHT LOAD INFORMATION

Max. stacking possibilities for ceiling mounts using the following frames with correspondent projectors:

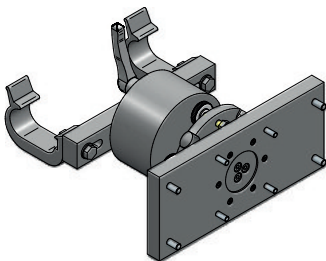
	Christie Boxer Frame Epson EB-L25000 Frame Panasonic Frame ET-RFD32
Truss mount TH-SHORT-350- 8/10	

INSTALLING THE TRUSS MOUNT



Place the truss mount on the rear side of the frame. Make sure that the 8 screws enter the 8 holes in the frame. Tighten the screws to secure the truss mount on the frame.

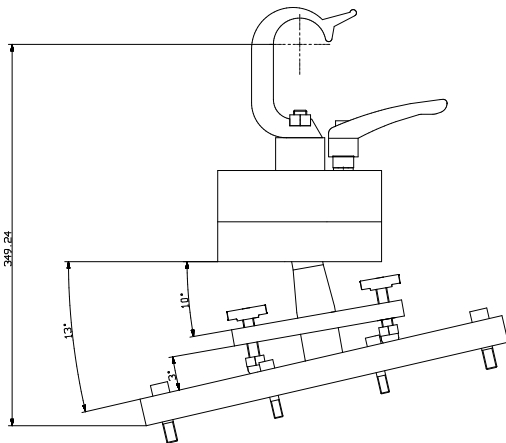
ADJUSTMENT OPTIONS



The distance between the two C-clamps is variable adjustable within a range of 40 mm. Make sure that the screws are properly tightened after setting a bolting torque of 34 Nm.

When turning the handle on the truss mount, it becomes mobile and can be rotated by 360°.

By means of the 4 adjustment screws, the position of the mount can be defined very precisely.



The inclination angle can be adjusted by 10% at the upper part (rough adjustment) and by 3% at the lower part (fine adjustment).

DIMENSIONS & WEIGHT

Weight: 12,30 kg

